



INDUSTRIAL RUBBER SOLUTIONS SINCE 1959

Marine Fender Systems

WWW.HUDSON-RUBBER.CO.ZA

Sales@hudson-rubber.co.za

+27 (0) 12 327 9400



Introduction



- 54 years in rubber manufacturing
- ISO 9001:2008 Registered
- SABS Approved Company
- Level 2 BBBEE Contributor
- Onsite laboratory
- Onsite development and mixing of rubber//silicone compounds
- Onsite Die//Tooling//Mold design and manufacturing
- In process controls and quality testing
- Full QC and QA systems
- 8000 m² production facility

Extruded Fenders



Hudson Rubbers' line of extruded dock fenders includes cylindrical, D shape, square, wing type and many other shapes. The inherent simplicity of the installation and operation of these fenders makes these units an economical solution for docks and piers that are required to cope with a variety of vessels. Hudson Rubber provides a standard range of sizes for each profile, but is able to manufacture to suit specific needs. All profile fenders can be mounted in a variety of methods.

Extruded Fenders



**HUDSON
RUBBER**

INDUSTRIAL RUBBER SOLUTIONS SINCE 1959

Standard fenders and sizes are listed below.

Hudson Rubber will manufacture to suit specific needs with all development done onsite to ensure minimum lead times on our products (Any Shape, Any Size). All dimensions, weights and lengths can be customised to your requirements;

- Cylindrical Fenders
- DO Fenders
- DD Fenders
- SO Fenders
- SD Fenders
- W Fenders
- M Fenders
- Key Hole Fender
- Wing Fender

Cylindrical



INDUSTRIAL RUBBER SOLUTIONS SINCE 1959

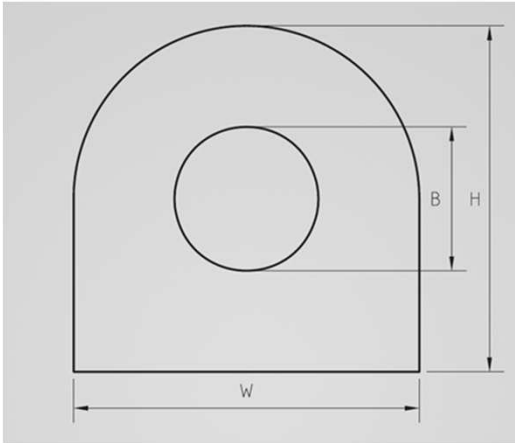
| OD (mm) | ID (mm) |
|------------|------------|
| 100 | 50 |
| 150 | 75 |
| 200 | 100 |
| 250 | 125 |
| 300 | 150 |
| 380 | 190 |



DO Fender



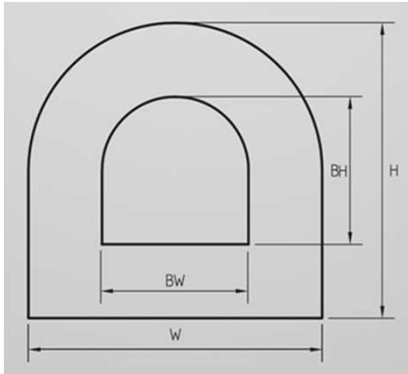
| Width (W) (mm) | Height (H) (mm) | Bore (B) (mm) |
|-------------------|--------------------|------------------|
| 150 | 125 | 64 |
| 150 | 150 | 64 |
| 200 | 200 | 64 |
| 230 | 230 | 76 |
| 250 | 250 | 100 |
| 300 | 300 | 125 |
| 350 | 350 | 150 |



DD Fender



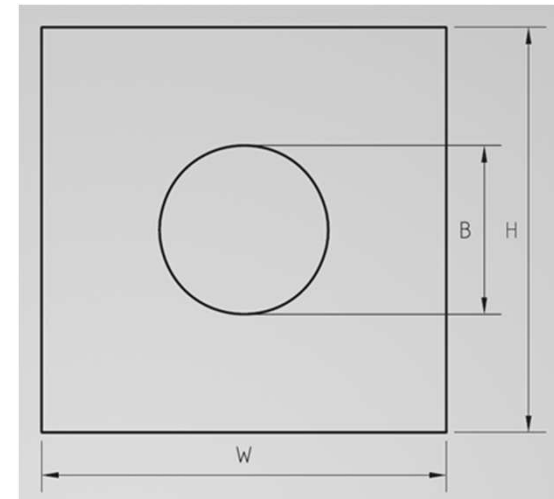
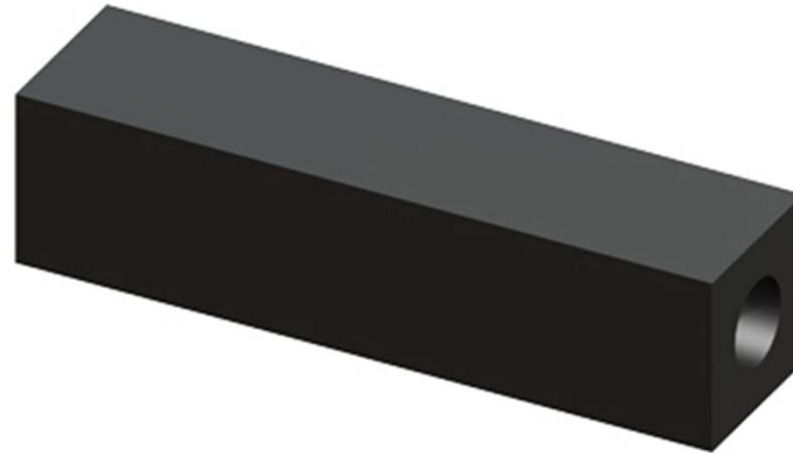
| Width (W) (mm) | Height (H) (mm) | Bore Width (BW) (mm) | Bore Height (BH) (mm) |
|-------------------|--------------------|-------------------------|--------------------------|
| 125 | 125 | 60 | 60 |
| 150 | 150 | 75 | 75 |
| 200 | 200 | 100 | 100 |
| 250 | 250 | 125 | 125 |
| 300 | 300 | 150 | 150 |
| 350 | 350 | 175 | 175 |



SO Fender



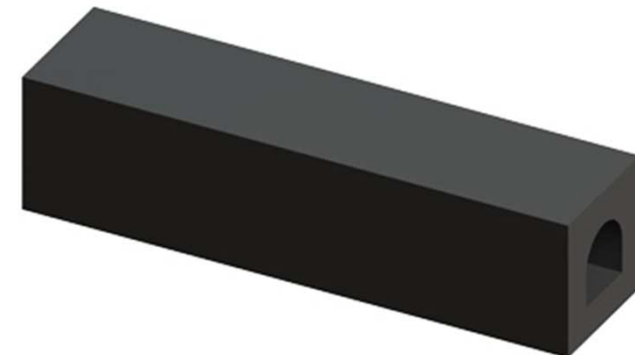
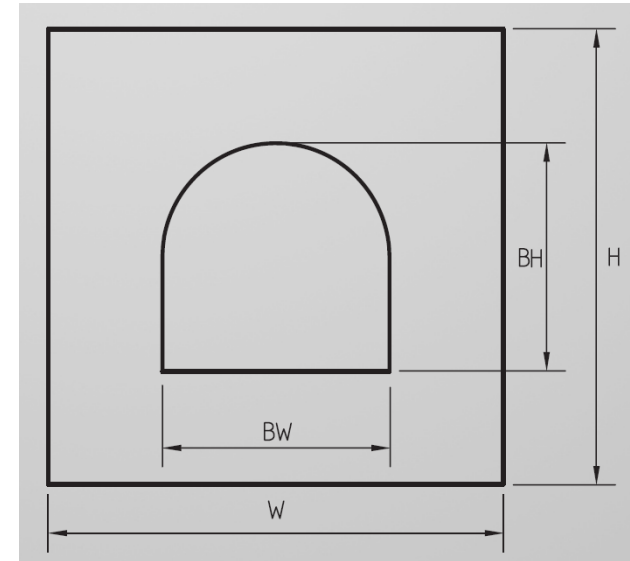
| Width (W) (mm) | Height (H) (mm) | Bore (B) (mm) |
|-------------------|--------------------|------------------|
| 150 | 125 | 65 |
| 165 | 125 | 65 |
| 150 | 150 | 73 |
| 200 | 200 | 76 |
| 250 | 200 | 76 |
| 250 | 250 | 100 |
| 300 | 250 | 100 |
| 300 | 250 | 125 |
| 300 | 300 | 100 |
| 300 | 300 | 125 |
| 300 | 300 | 150 |
| 350 | 350 | 150 |



SD Fender



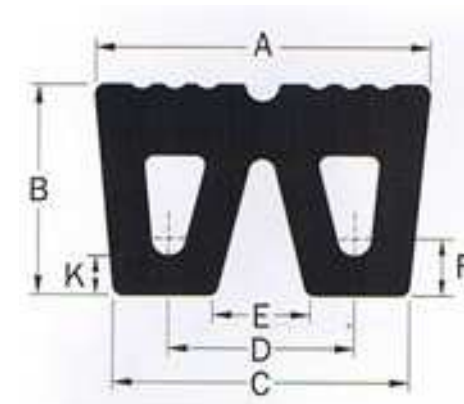
| Width (W) (mm) | Height (H) (mm) | Bore Width (BW) (mm) | Bore Height (BH) (mm) |
|-------------------|--------------------|-------------------------|--------------------------|
| 125 | 125 | 62 | 62 |
| 150 | 150 | 75 | 75 |
| 200 | 200 | 100 | 100 |
| 250 | 200 | 125 | 100 |
| 250 | 250 | 125 | 125 |
| 300 | 250 | 150 | 125 |
| 300 | 300 | 150 | 150 |
| 350 | 350 | 175 | 175 |



W Fender



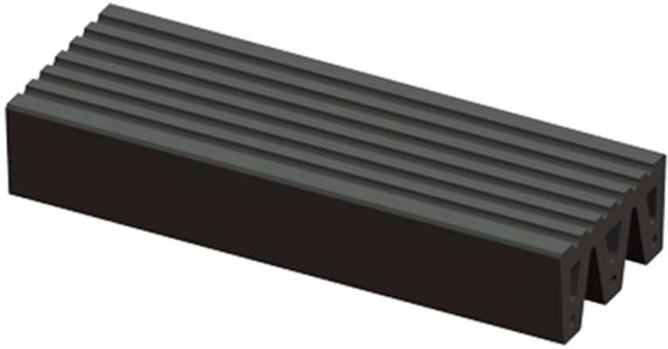
| A | B | C | D | E | F | K |
|------|------|------|------|------|------|------|
| (mm) | (mm) | (mm) | (mm) | (mm) | (mm) | (mm) |
| 320 | 200 | 280 | 180 | 100 | 67 | 50 |
| 400 | 250 | 350 | 220 | 110 | 75 | 55 |
| 480 | 300 | 426 | 269 | 135 | 90 | 65 |
| 500 | 450 | 420 | 255 | 90 | 100 | 75 |



M Fender



| A (mm) | B (mm) | C (mm) | D (mm) | E (mm) | F (mm) |
|-----------|-----------|-----------|-----------|-----------|-----------|
| 400 | 200 | 40 | 23 | 50 | 150 |
| 500 | 250 | 50 | 27 | 60 | 190 |
| 600 | 300 | 60 | 70 | 70 | 230 |

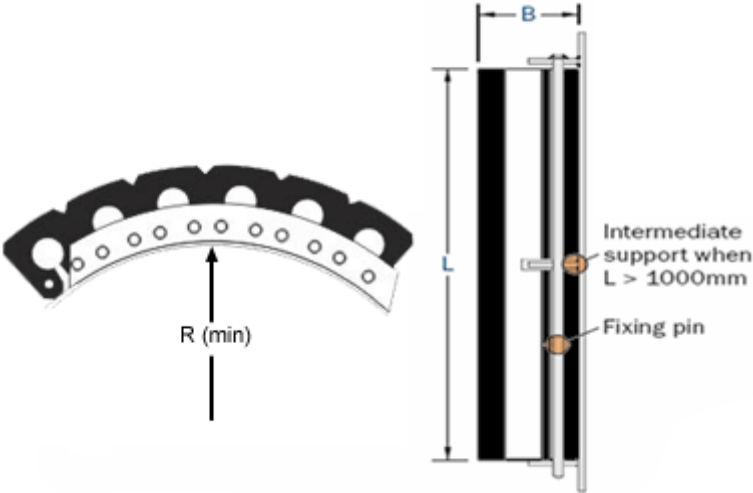


Key Hole Fender



INDUSTRIAL RUBBER SOLUTIONS SINCE 1959

| Size OD D (mm) | Fender ID d (mm) |
|----------------|------------------|
| 150 | 150 |
| 200 | 200 |
| 250 | 250 |
| 300 | 300 |



Wing Fender



| Size OD D (mm) | Fender ID d (mm) |
|-------------------|---------------------|
| 100 | 50 |
| 150 | 75 |
| 200 | 100 |
| 250 | 125 |
| 300 | 150 |
| 350 | 190 |





